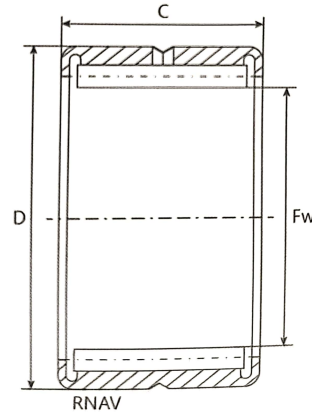


Full complement Heavy Duty Needle Roller Bearing



select	Inquiry	Type	Weight	Main dimensions		
		Without inner ring		Fw	D	C
NAV4002	76	15	32	17		
NAV4003	94	17	35	18		
NAV4004	170	20	42	22		
NAV4005	195	25	47	22		
NAV4006	299	30	55	25		
NAV4007	402	35	62	27		
NAV4008	482	40	68	28		
NAV4009	617	45	75	30		
NAV4010	669	50	80	30		
NAV4011	1030	55	90	35		
NAV4012	1087	60	95	35		
NAV4013	1156	65	100	35		
NAV4014	1666	70	110	40		
NAV4015	1762	75	115	45		
NAV4016	2450	80	125	45		
NAV4017	2500	85	130	45		
RNAV4002	45	21.87	32	17		
RNAV4003	62	24.3	35	18		

Full complement Heavy Duty Needle Roller Bearing

RNAV4004	114	28.7	42	22
RNAV4005	129	33.5	47	22
RNAV4006	193	40.1	55	25
RNAV4007	259	45.9	62	27
RNAV4008	304	51.6	68	28
RNAV4009	390	57.4	75	30
RNAV4010	426	62.1	80	30
RNAV4011	645	69.8	90	35
RNAV4012	677	74.6	95	35
RNAV4013	692	80.3	100	35
RNAV4014	950	88	110	40
RNAV4015	1000	92.7	115	45